



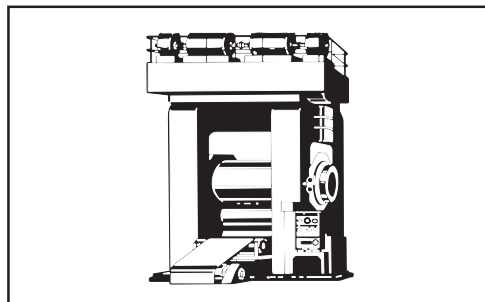
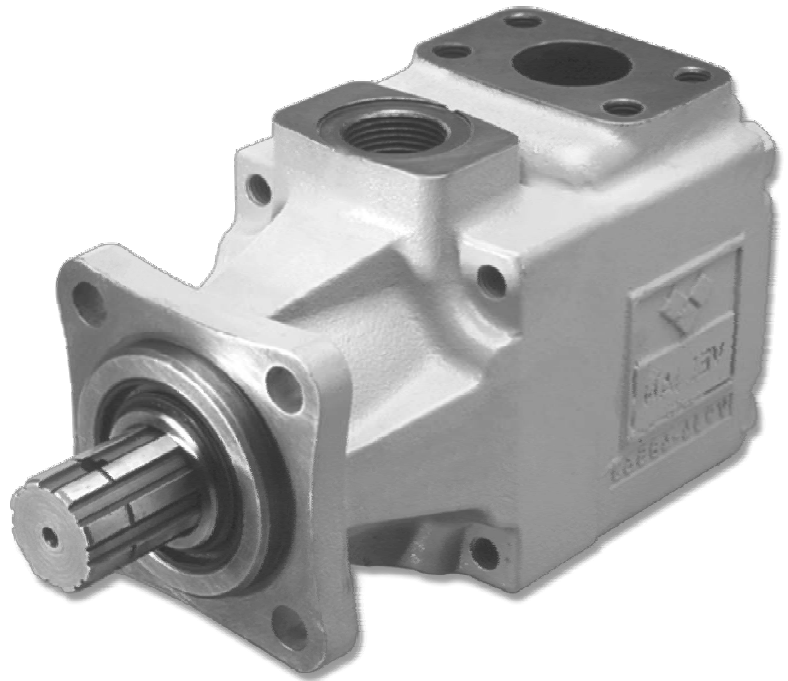
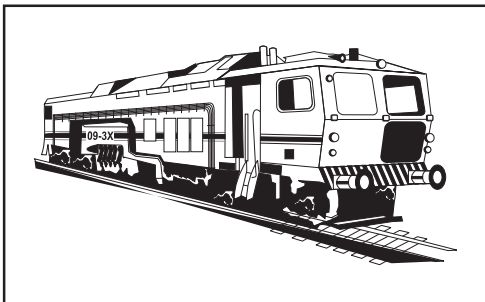
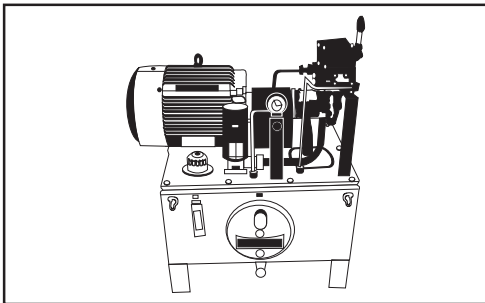
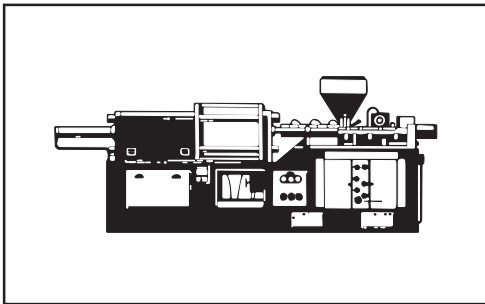
VELJAN

Service Information

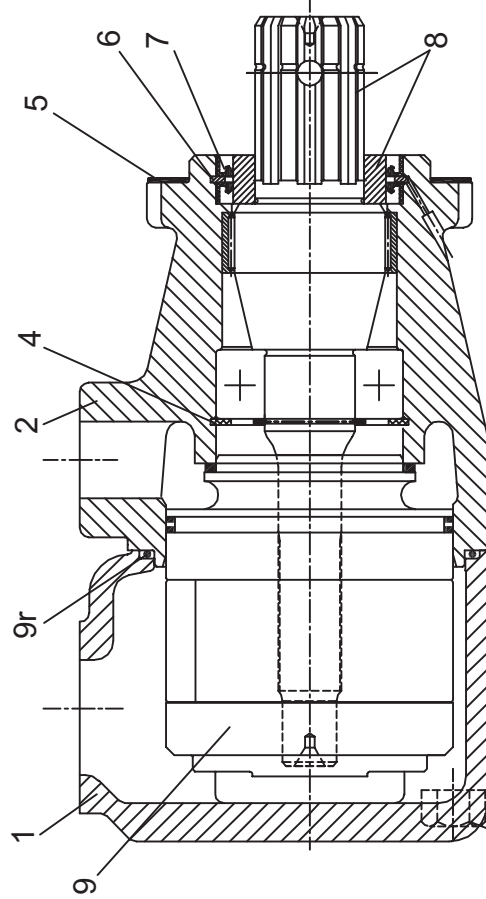
SS4 - 00121

VT6GC

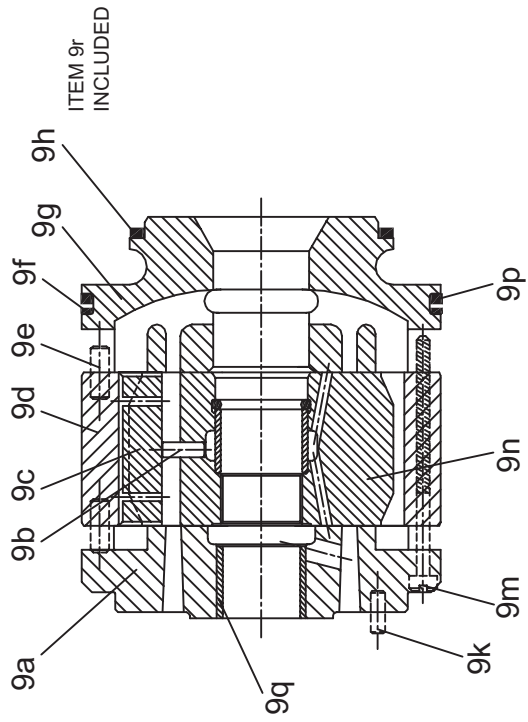
Single vane pump



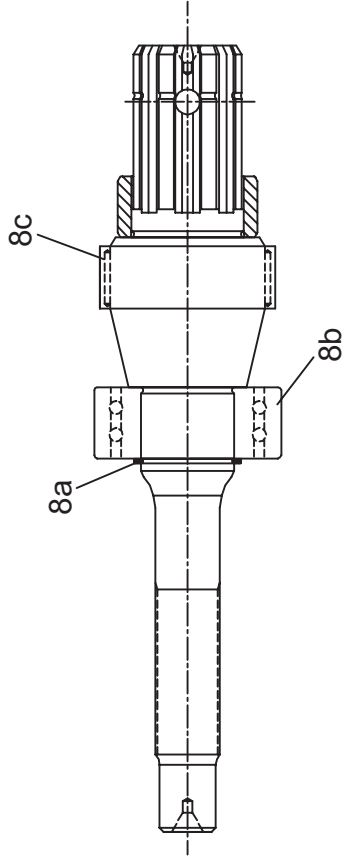
Bold printed are recommended repair kits and assemblies



3 Mounting torque : 117 ft. lbs
(159 Nm)



Item pos.	Description	Part No.		Qty
1	Housing (UNC)	V034-48564		1
	Housing (Metric)	V034-66677		
2	Mounting flange (Standard) (00)	H-034-66439		1
	Mounting flange (Standard) (01)	H-034-66480		
	Mounting flange (Standard) (M1)	H-034-66792		
3	Mounting Screw	V306-40038		4

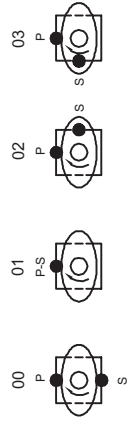
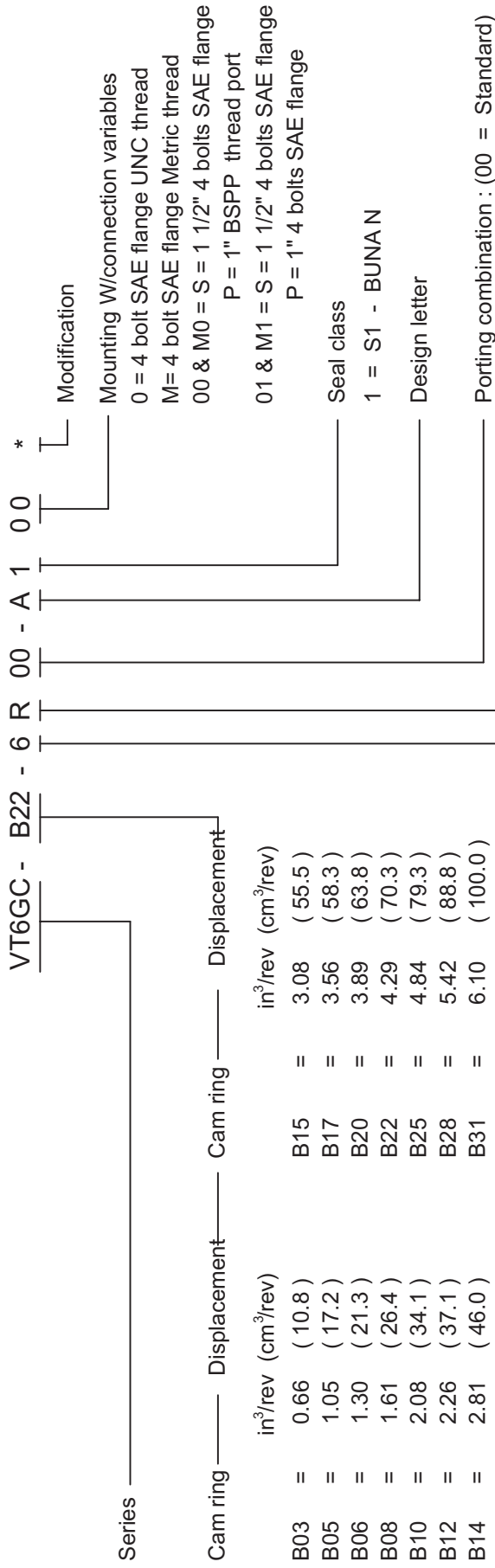


4	Retaining ring	V356-30244		1
5	Gasket seal	H-034-66133		1
6	Retaining ring	V356-30244		1
7	Shaft seal (S1-0.7 bar)	V620-00007.3		2
8	Shaft and bush ass'y (#1) (Splined code 6)	C-S14-72077		1
8a	Retaining ring	V356-31118		1
8b	Ball bearing	V230-90010.3		1
8c	Needle bearing	V230-90009.3		1
10	Cartridge assembly B03 CW	VS24-40799		1
	Cartridge assembly B03 CCW	VS24-40811		
	Cartridge assembly B05 CW	VS24-40800		
	Cartridge assembly B05 CCW	VS24-40812		
	Cartridge assembly B06 CW	VS24-40801		
	Cartridge assembly B06 CCW			

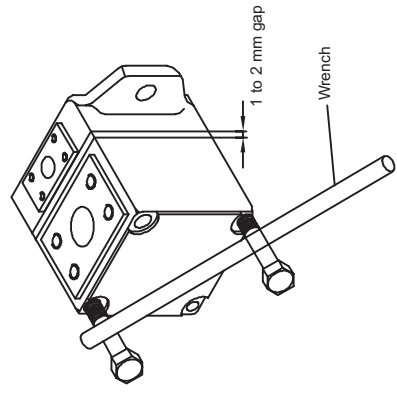
Item pos.	Description	Part No.		Qty
		VT6GC		
	Cartridge assembly B06 CCW	VS24-40813		
	Cartridge assembly B08 CW	VS24-40802		
	Cartridge assembly B08 CCW	VS24-40814		
	Cartridge assembly B10 CW	VS24-40803		
	Cartridge assembly B10 CCW	VS24-40815		
	Cartridge assembly B12 CW	VS24-40804		
	Cartridge assembly B12 CCW	VS24-40816		
	Cartridge assembly B14 CW	VS24-40805		
	Cartridge assembly B14 CCW	VS24-40817		
	Cartridge assembly B15 CW	C-S14-72149		
	Cartridge assembly B15 CCW	C-S14-72150		
	Cartridge assembly B17 CW	VS24-40806		
	Cartridge assembly B17 CCW	VS24-40818		
	Cartridge assembly B20 CW	VS24-40807		
	Cartridge assembly B20 CCW	VS24-40819		
	Cartridge assembly B22 CW	VS24-40808		
	Cartridge assembly B22 CCW	VS24-40820		
	Cartridge assembly B25 CW	VS24-40809		
	Cartridge assembly B25 CCW	VS24-40821		
	Cartridge assembly B28 CW	VS14-40810		
	Cartridge assembly B28 CCW	VS24-40822		
	Cartridge assembly B31 CW	VS24-49406		
	Cartridge assembly B31 CCW	VS24-49407		
9a	Port plate - rear Bi-dir	034-59047		1
9b	Pin vane holdout	V034-24982		10
9c	Vane	V034-66716		10
9d	Cam ring - 003	V034-59050		1
	Cam ring - 005	V034-59051		
	Cam ring - 006	V034-59052		
	Cam ring - 008	V034-59053		
	Cam ring - 010	V034-59054		
	Cam ring - 012	V034-66595		
	Cam ring - 014	V034-59206		
	Cam ring - 015	C-034-66893		
	Cam ring - 017	V034-59207		
	Cam ring - 020	V034-66607		
	Cam ring - 022	V034-59208		
	Cam ring - 025	V034-59209		
	Cam ring - 028	V034-59245		
	Cam ring - 031	V034-66843		
9e	Dowel pin	V324-21208		2

Item pos.	Description	Part No.		Qty
		VT6GC		
9f	Back-up ring	V618-15016		1
9g	Port plate - pressure Bi-dir	H-034-66453		1
9h	Sq. section seal	V691-10229		1
9k	Dowel pin	V323-82010		1
9m	Screw	V317-06266		2
9n	Rotor-insert ass'y	VS24-30049		1
9p	Sq. section seal	V691-10238		1
9q	Bearing bush	V034-71867		1
9r	O ring	V671-00244		1
7,9f	Seal kit (S1 - 0.7 bar)	VS24-97665		1
9h,9p				
9r				
4,5,6	Mounting cap and shaft ass'y (00)	VS14 97682		1
7,8,9c	Mounting cap and shaft ass'y (01)	VS14 97683		1
8a,8b	Mounting cap and shaft ass'y (M1)	VS24-44559		1

MODEL CODE



Direction of rotation
 R = Clockwise
 L = Counter - clockwise



To change porting position, follow the steps below:
 Secure pump and remove 4 bolts from housing . Move the housing 1 to 2 mm away from mounting flange. Insert Two bolt halfway to housing. Install a Wrench between the Two bolts and turn in the desired way,so that the required position of pressure port with respect to suction is obtained. Reinstall the bolts and tighten to corresponding torque.
 Instruction : Do not remove housing completely from the mounting flange but only just 1 to 2 mm to avoid the cartridge pin to move out from the housing-dowel pin hole. make sure no piece of paint enters in to the gap to avoid leakage.
 If it is difficult to turn housing put some hydraulic oil to the pressure port to lubricate the pressure port seals.

Type of Shaft ————
 6 = Splined (DIN 5462)

Print	_____
Replace	_____
Revision	_____

Printed in India